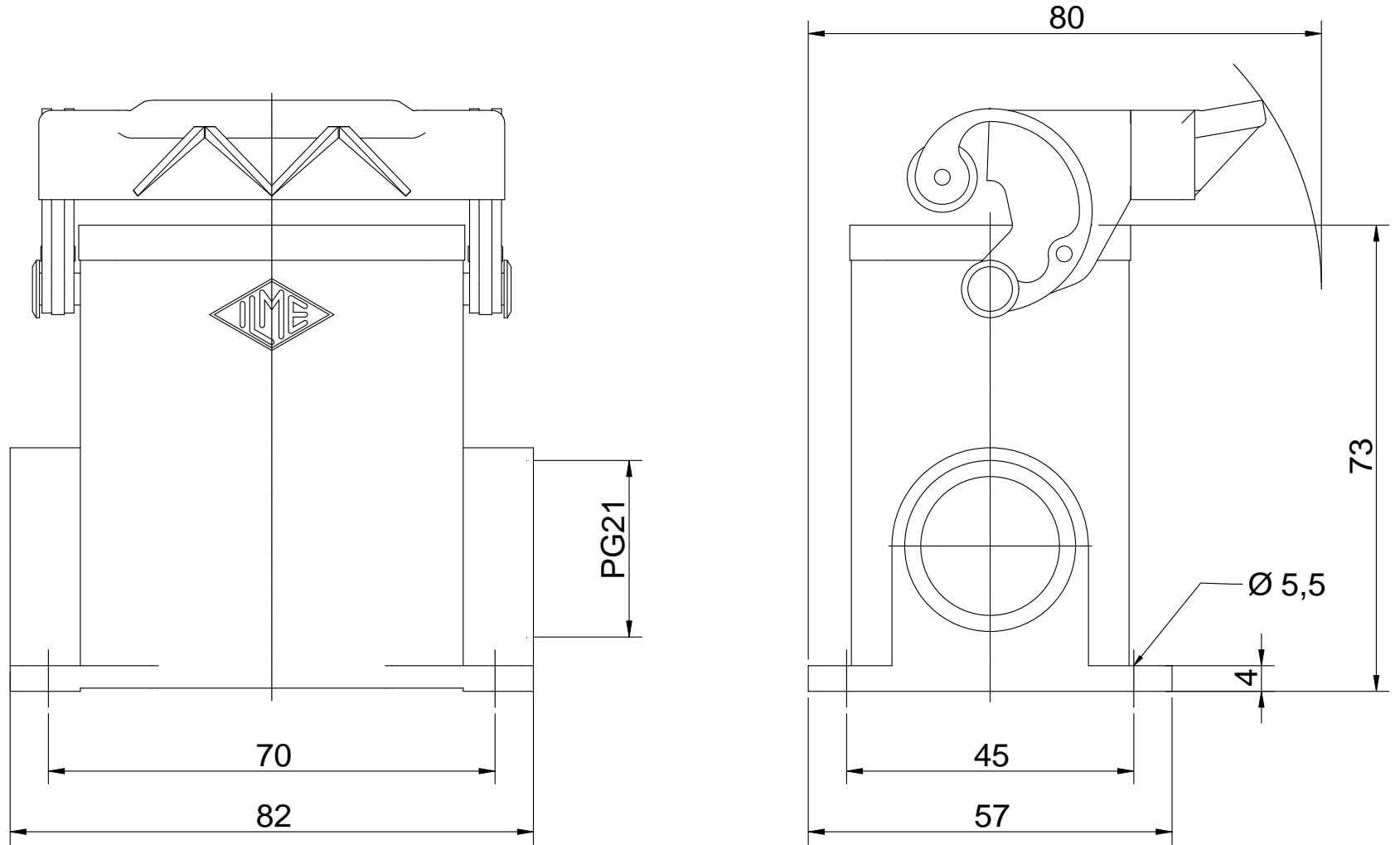


Diritti riservati All rights reserved



Date 10.01.2007	CAP 06 L		Scale
Sign.	surface mounting housing 1 lev. PG21		1:1
			