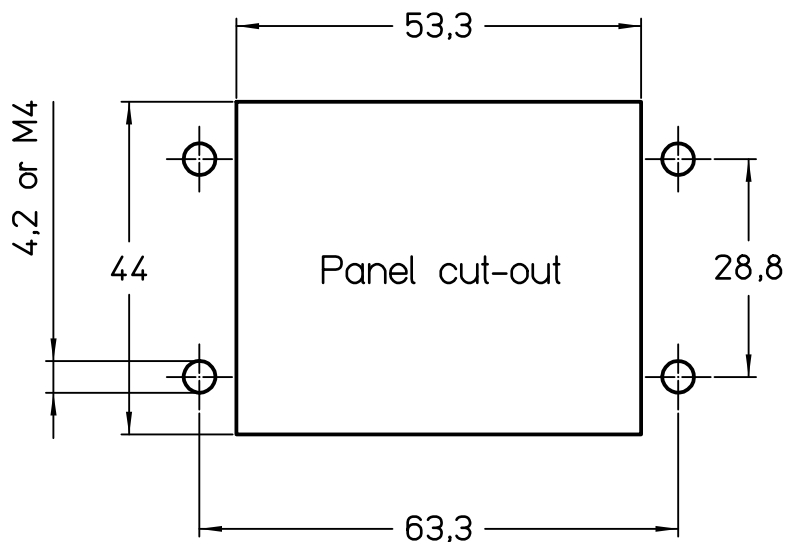
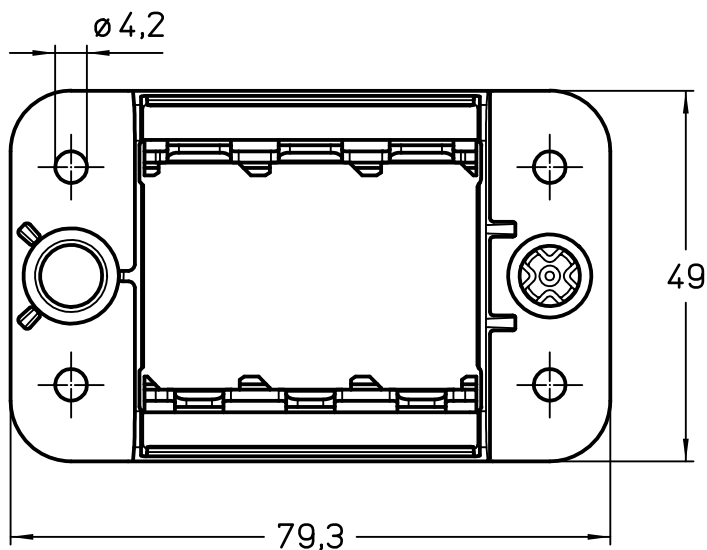
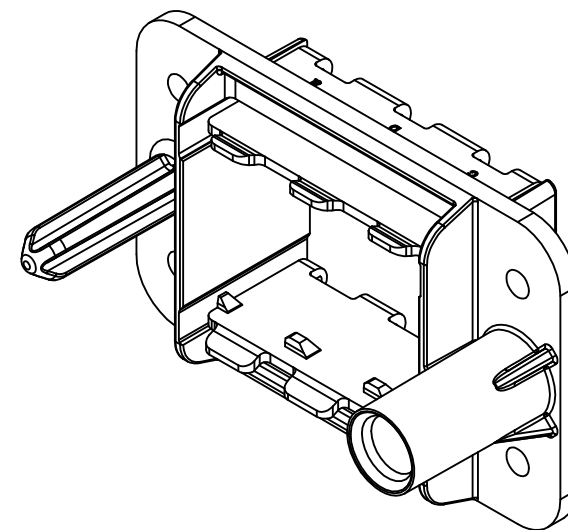
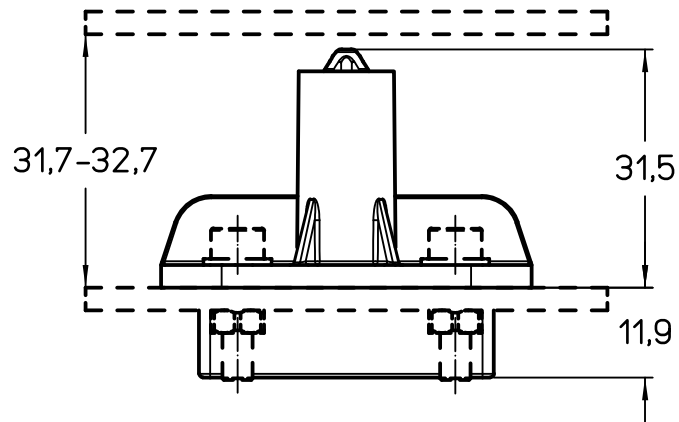
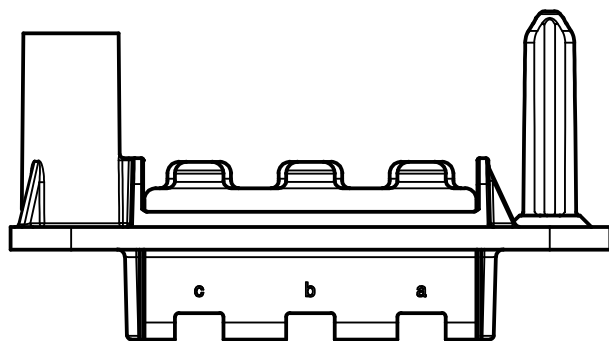


1

2

3



Dimensions in mm

Simplified representation with dimensions without tolerance

Original Size A4

Date 28/11/23

Sign. G. Renna

CX 03 PDF

3-slots thermoplastic insulating docking frame, fixed-mount

Scale
1:1



1

2

3