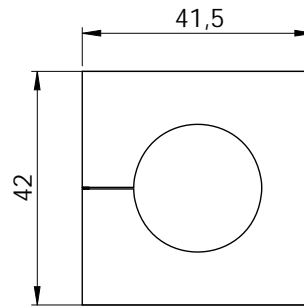
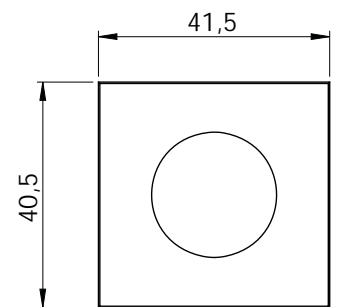


KT

Grommets, large



KT / KT-DPF large



KTMB large

Product description

Cable grommets KT large accept a wide range of cable diameters from 16 to 35 mm. They are used with the cable entry frames & cable glands of product groups 1.11 & 1.12.

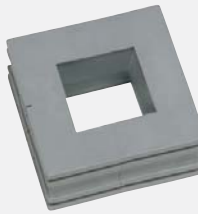

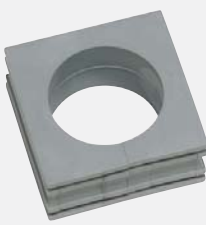
ATG adapter grommets provide the possibility to hold a small KT grommet to reduce the clamping range down to 1 mm.

Specifications KT grey

Material Elastomer
Flame class UL94-Vo, self-extinguishing
IP rating KT round, single: up to IP66/IP68
 ATG/BTG: IP54
UL type rating up to UL type 4X (acc. to UL 50E)
Temperature - 40°C to + 90°C (static)
Properties Halogen-free, silicone-free

Specifications KT black

Material Elastomer
Flame class UL94-HB
IP rating KT round, single: up to IP66/IP68
 ATG/BTG: IP54
Temperature - 30°C to + 90°C (static)
Properties Higher chemical resistance

Description	Type	Order No. grey	Order No. black	Clamping range	PU
	ATG	41253	41353	Adapter grommet	10
	BTG	41252	41352	Blank grommet or 5 - 20 mm	10
	KT 16	41216	41316	16 - 17 mm	10
	KT 17	41217	41317	17 - 18 mm	10
	KT 18	41218	41318	18 - 19 mm	10
	KT 19	41219	41319	19 - 20 mm	10
	KT 20	41220	41320	20 - 21 mm	10
	KT 21	41221	41321	21 - 22 mm	10
	KT 22	41222	41322	22 - 23 mm	10
	KT 23	41223	41323	23 - 24 mm	10
	KT 24	41224	41324	24 - 25 mm	10
	KT 25	41225	41325	25 - 26 mm	10
	KT 26	41226	41326	26 - 27 mm	10
	KT 27	41227	41327	27 - 28 mm	10
	KT 28	41228	41328	28 - 29 mm	10
	KT 29	41229	41329	29 - 30 mm	10
	KT 30	41230	41330	30 - 31 mm	10
	KT 31	41231	41331	31 - 32 mm	10
	KT 32	41232	41332	32 - 33 mm	10
KT 33	41233	41333	33 - 34 mm	10	
KT 34	41234	41334	34 - 35 mm	10	

*Only valid for grey product types