

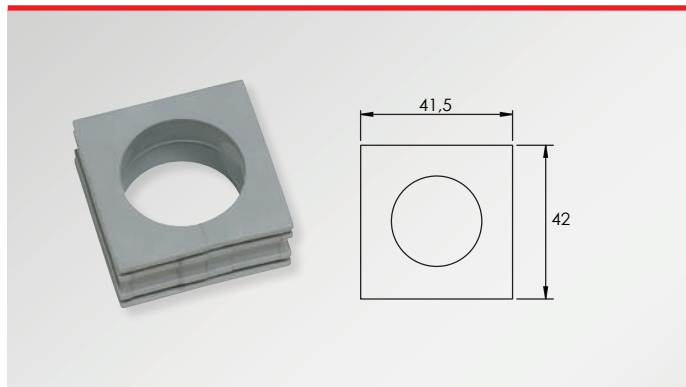
KT CR

Grommets, large



Detailed product description from page 77.

Description	Type	Clamping range	Order No. * grey	Order No. ** grey	PU
ATG	ATG CR	Adapter grommet	■ 41253.600	■ 41253.601	10
BTG	BTG CR	Blank grommet	■ 41252.600	■ 41252.601	10
KT large	KTG 13 CR	13 – 14 mm	■ 41263.600	■ 41263.601	10
	KTG 14 CR	14 – 15 mm	■ 41264.600	■ 41264.601	10
	KTG 15 CR	15 – 16 mm	■ 41265.600	■ 41265.601	10
	KT 16 CR	16 – 17 mm	■ 41216.600	■ 41216.601	10
	KT 17 CR	17 – 18 mm	■ 41217.600	■ 41217.601	10
	KT 18 CR	18 – 19 mm	■ 41218.600	■ 41218.601	10
	KT 19 CR	19 – 20 mm	■ 41219.600	■ 41219.601	10
	KT 20 CR	20 – 21 mm	■ 41220.600	■ 41220.601	10
	KT 21 CR	21 – 22 mm	■ 41221.600	■ 41221.601	10
	KT 22 CR	22 – 23 mm	■ 41222.600	■ 41222.601	10
	KT 23 CR	23 – 24 mm	■ 41223.600	■ 41223.601	10
	KT 24 CR	24 – 25 mm	■ 41224.600	■ 41224.601	10
	KT 25 CR	25 – 26 mm	■ 41225.600	■ 41225.601	10
	KT 26 CR	26 – 27 mm	■ 41226.600	■ 41226.601	10
	KT 27 CR	27 – 28 mm	■ 41227.600	■ 41227.601	10
	KT 28 CR	28 – 29 mm	■ 41228.600	■ 41228.601	10
KT 29 CR	29 – 30 mm	■ 41229.600	■ 41229.601	10	
KT 30 CR	30 – 31 mm	■ 41230.600	■ 41230.601	10	
KT 31 CR	31 – 32 mm	■ 41231.600	■ 41231.601	10	
KT 32 CR	32 – 33 mm	■ 41232.600	■ 41232.601	10	
KT 33 CR	33 – 34 mm	■ 41233.600	■ 41233.601	10	
KT 34 CR	34 – 35 mm	■ 41234.600	■ 41234.601	10	



* The products with article ending .600 are tested and certified for particle emission for cleanroom class 1 according to ISO 14644-1. The materials used for these products have been tested and certified for outgassing according to VOC/SVOC (ISO 14644-8; ISO 16000-6,-9,-11,-25, VDI 2083 sheet 17).

** The products with the article ending .601 are tested and certified for particle emission for cleanroom class 1 according to ISO 14644-1.



The cable grommets CR are each certified in connection with the cable entry frames KEL-ER CR and KEL-U CR.