

CONTROL BOX & HANGING SYSTEMS



BRACKET GM60



SUSPENSION SYSTEM

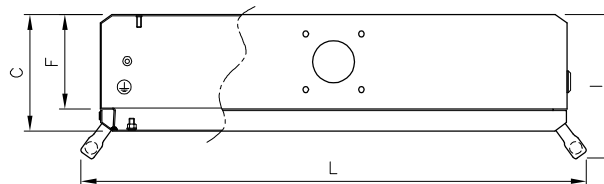
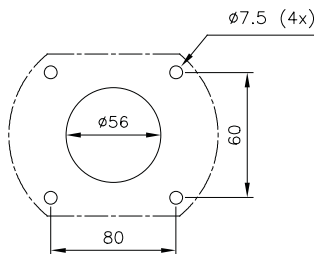
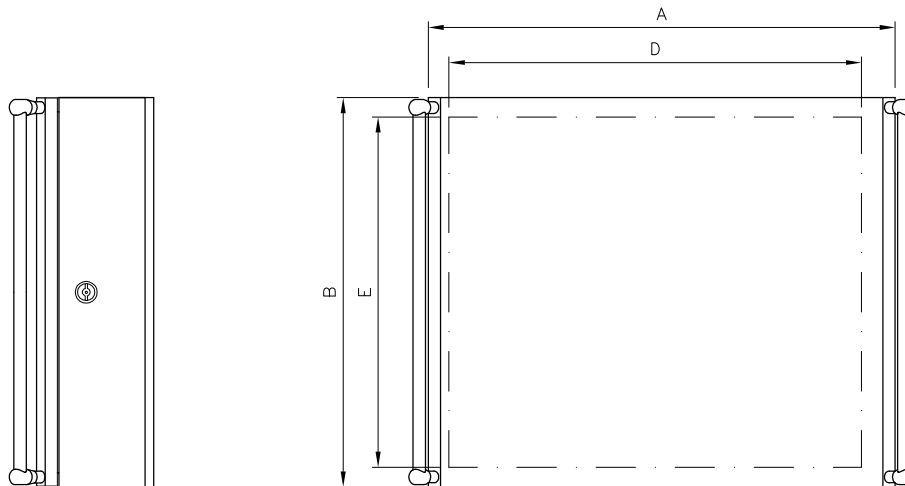


WIRED BK CONTROL BOX



CONTROL BOX SERIES BK

- EN 1.4307 (TYPE 304L) s/s execution, finely satin-finished and protected.
- Enclosure obtained from a single sheet, thickness 15/10 shaped by multiple bends of the front edge, door with radial corners.
- Enclosures drilled for the assembling of articulated arms type TJ-TS-TL with rotary joint code GKS.
- Full door, hinged, side lock to take maximum advantage of the drilling space.
- Existing provision inner plate. Plate to require as optional.
- Ergonomic grip handles, TYPE 304 s/s, available on request.
- Inner hinges, s/s: 120° opening as per CEI EN 60204-1 recommendations.
- Foamed polyurethanic bi-component seal.
- Prearranged for earthing according to the regulations in force.
- Protection degree IP66 and IP69K.
- Twin-comb lock of the standardized type Ø 3 for Low Voltage, s/s outside.
- Joint GKS excluded (to be ordered separately).



IP69K

IP66

EN 60 529 EN 60 529/AI



IK10

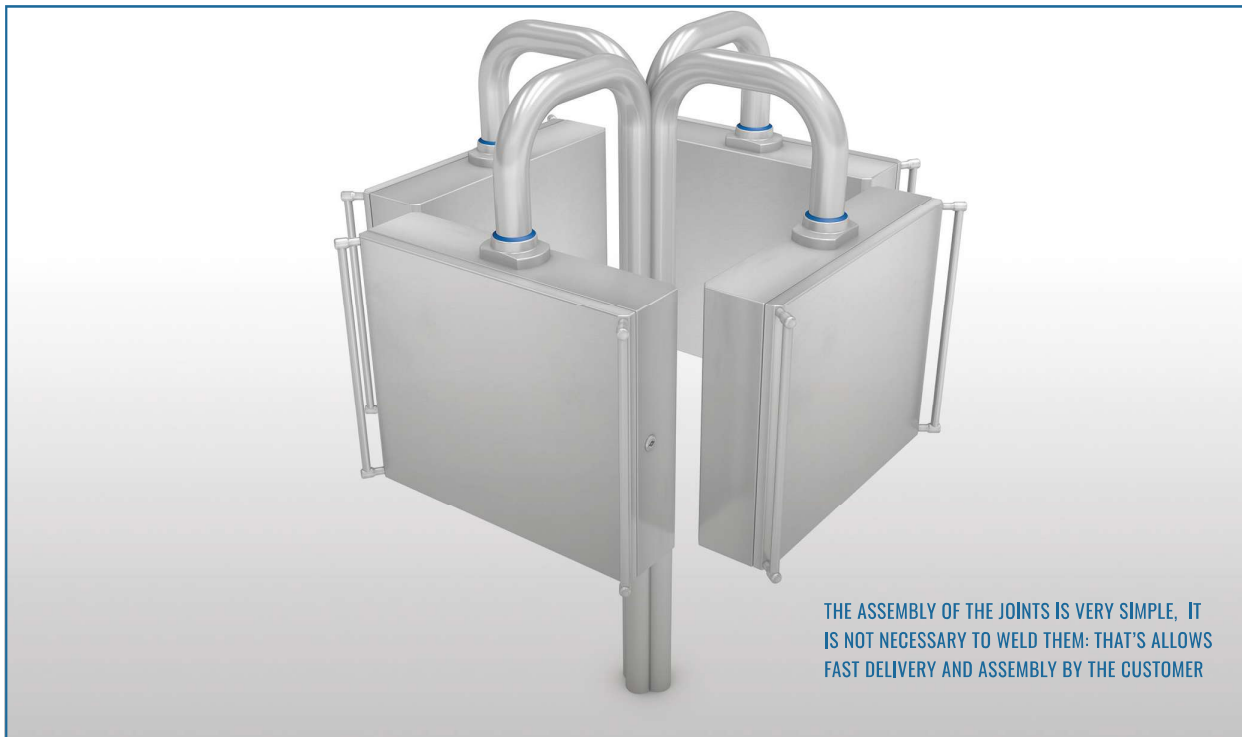
EN 60-204-1 89/392/EEC

Detailed drawings per each cabinet can be downloaded from our site www.ilinox.com

ITEM	OUTSIDE SIZES			USEFUL SURFACES			OVERALL DIM. WITH HANDLES	
	A	B	C	D	E	F	I	L
BK33AM	350	300	130	240	240	102	165	400
BK43AM	450	350	130	340	290	102	165	500
BK44AM	450	450	130	340	390	102	165	500
BK54AM	520	450	130	410	390	102	165	570
BK55AM	500	500	130	390	440	102	165	550
BK65AM	600	500	150	490	440	122	185	650
BK75AM	675	550	150	565	490	122	185	650
BK33A	350	300	130	240	240	102	not present	
BK43A	450	350	130	340	290	102	not present	
BK44A	450	450	130	340	390	102	not present	
BK54A	520	450	130	410	390	102	not present	
BK55A	500	500	130	390	440	102	not present	
BK65A	600	500	150	490	440	122	not present	
BK75A	675	550	150	565	490	122	not present	

UL certification to be requested with the order

CONTROL BOX & HANGING SYSTEMS



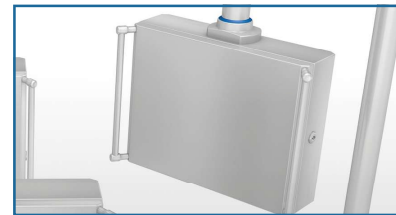
BRACKET GM60



SUSPENSION SYSTEM



ARTICULATED JOINT

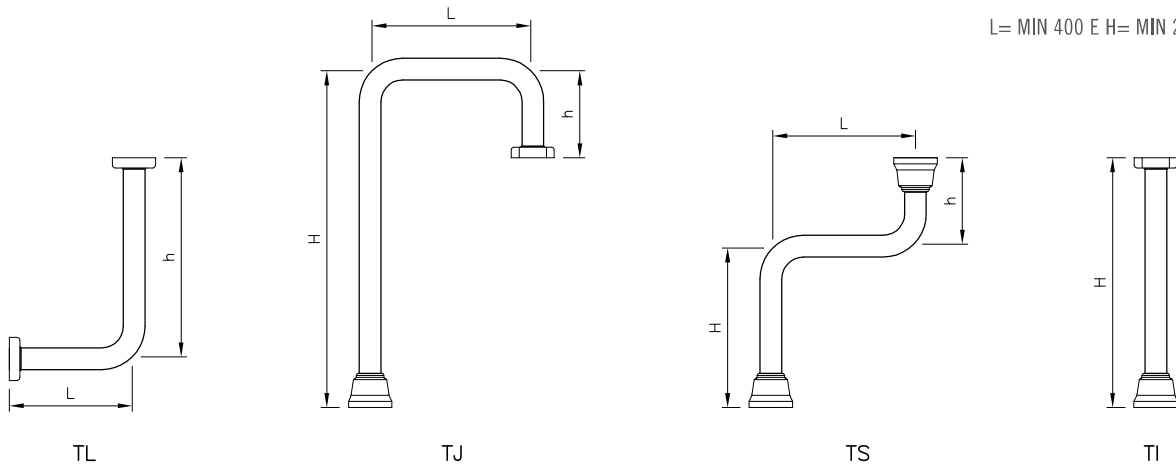


ARTICULATED ARMS

- EN 1.4307 (TYPE 304L) s/s tube execution, \varnothing . 60.3 thick.3, satin-finish: on demand polish or micro-peening finish available.
- Available bent to "L", "J" or "S" shape, or "I" shape.
- Some widths are preset and available from the stock (see table), other sizes are available on demand.
- Fixed or articulated joints can be set on the ends, to meet different needs.
- The arm is usually delivered with joints on. Since the GKSA and GCSA joint can be installed without welds, they can be fitted directly by customer after adjusting the arm to its needs.

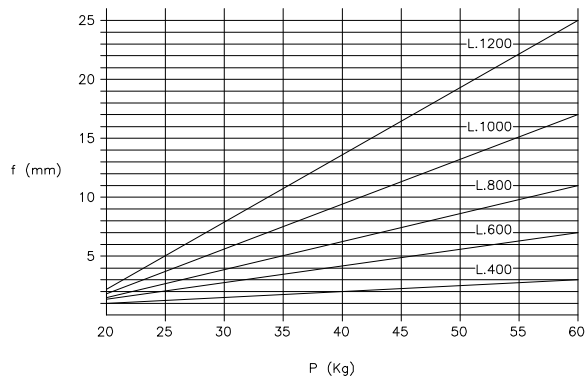
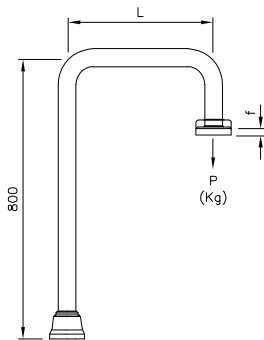
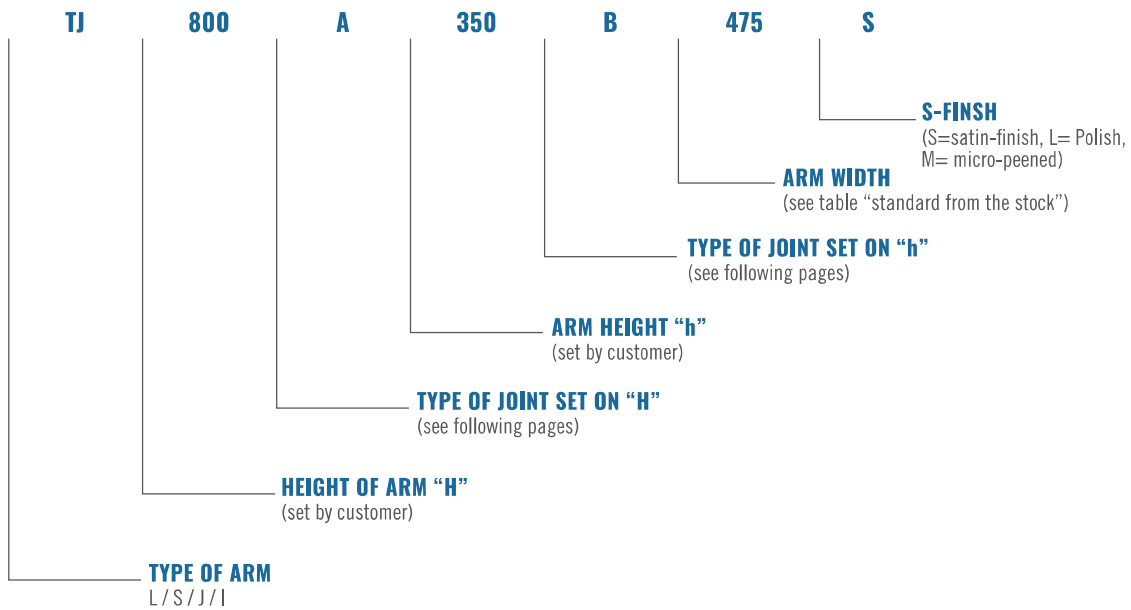
NOTE: if the arm is expected to support any item other than our boxes series BC-BK, the stiffness of the wall to be supported needs checking.

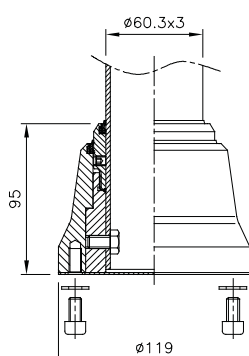
L= MIN 400 E H= MIN 240



Standard sizes from the stock: L= 400 – 475 – 550 – 625 – 700 – 775
Other sizes available on demand.

ORDERING CODE IDENTIFICATION TABLE



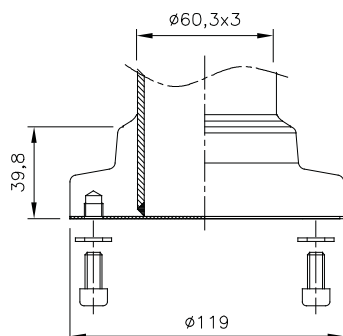


ARTICULATED JOINT GCSA ('A')

EN 1.4307 (TYPE 304L) s/s execution, complete with seal to guarantee tightness. The special form and the manufacturing criteria guarantee high stiffness and make it suitable for use either at the bottom of the arm or for coupling with big-sized control boxes or bottom-supported ones. The frame on which the joint is to be fastened must be very stiff. Since the joint can be installed without welds, it can be assembled directly by customer after adjusting the arm to its needs.

The rotation angle can be limited to 90°, 180°, 270° or 360°.

- GCSA – articulated joint, IP66 and IP69K

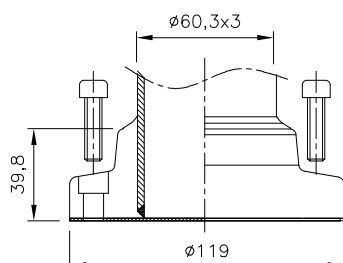


ARTICULATED JOINT GKSa ('B')

EN 1.4307 (TYPE 304L) s/s execution, complete with gaskets to Guarantee tightness, its simple and unitized shape makes it particularly for coupling with hanging control boxes. The joint does not require any weld, hence it can be installed directly by customer after adjusting the arm to its needs.

The rotation angle can be limited to 60°, 120°, 180°, 240° or 300°.

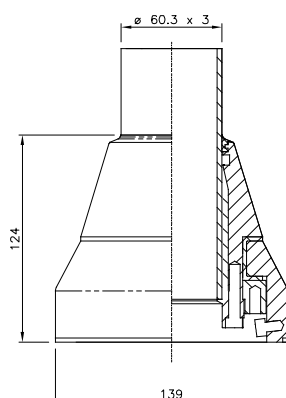
- GKSa – articulated joint for coupling with control boxes BK, IP66 and IP69K



ARTICULATED JOINT GKSEA ('C')

EN 1.4307 (TYPE 304L) s/s execution, complete with gaskets to Guarantee tightness, its simple and unitized shape makes it particularly for coupling with hanging control boxes. The joint does not require any weld, hence it can be installed directly by customer after adjusting the arm to its needs. Comes complete with a retainer that limits its rotation to 85°-175°- 265°-355°. It's possible to fix the joint. It's possible to fix the joint. Can be fixed from the outside of the frame on which it is set.

- GKSEA – articulated joint for coupling with control boxes BK, IP66 and IP69K

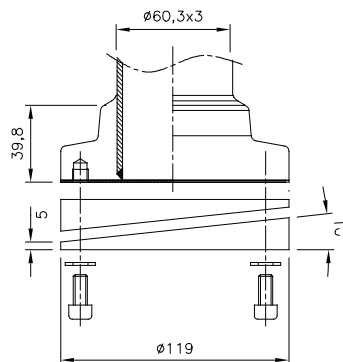


ARTICULATED JOINT GRH ('D')

EN 1.4307 (TYPE 304L) s/s execution, complete with blue seal to guarantee tightness. The special form and the manufacturing criteria guarantee high stiffness and make it suitable for use either at the bottom of the arm or for coupling with big-sized control boxes or bottom-supported ones. The frame on which the joint is to be fastened must be very stiff. Since the joint can be installed without welds, it can be assembled directly by customer after adjusting the arm to its needs. Internal clutch to guarantee easily rotation.

The rotation angle can be limited to 85°, 175°, 265° or 355°.

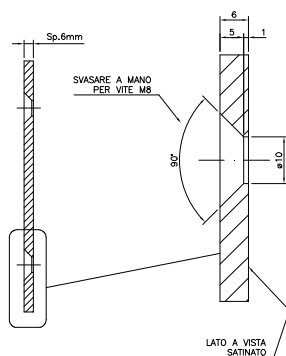
- GRH – universal articulated joint



ARTICULATED JOINT GKSHA ('E')

Universal articulated joint EN 1.4307 (TYPE 304L) s/s execution, complete with seal to guarantee tightness. The special form and the manufacturing criteria guarantee high stiffness and make it suitable for use either at the bottom of the arm or for coupling with big-sized control boxes or bottom-supported ones. The frame on which the joint is to be fastened must be very stiff. Since the joint can be installed without welds, it can be assembled directly by customer after adjusting the arm to its needs. The rotation angle can be limited to 85°, 175°, 265° or 355°. It's possible to fix the joint. With sloping flange 10°

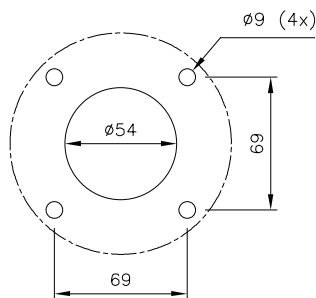
- GKSHA – universal articulated joint for BKH, IP66 and IP69K



FLANGE FOR BRACKET OUTSIDE FIXING (FFM)

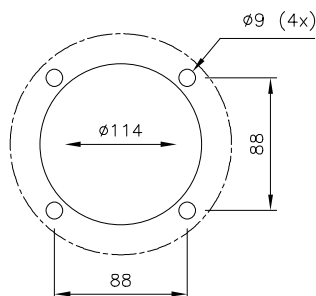
Adaptation flange, EN 1.4301 (TYPE 304L) s/s execution to fix the GM60 bracket from the outside.

- FFM – flange for outside fixing of bracket GM60



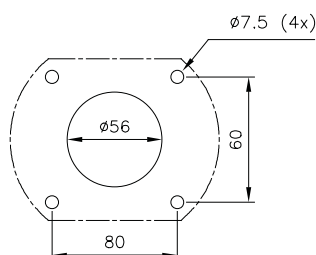
DRILLING TEMPLATE

- TEMPLATE GCSA



DRILLING TEMPLATE

- TEMPLATE GRH



DRILLING TEMPLATE

- TEMPLATE GKSA

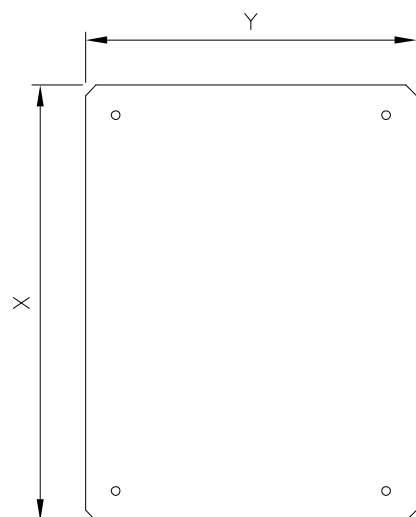
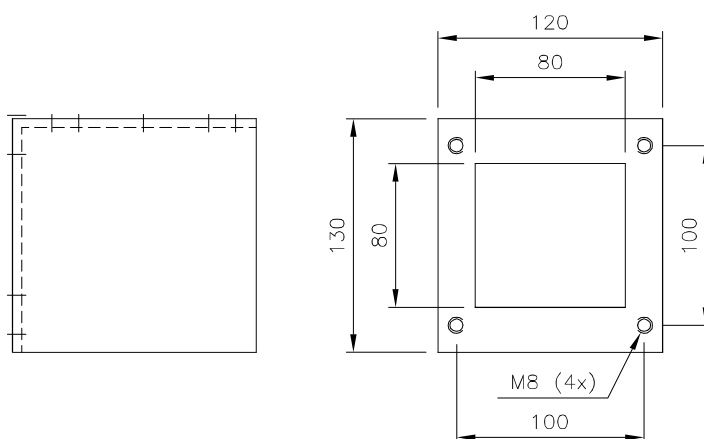
CONTROL BOX & HANGING SYSTEMS



BRACKET GM60

All EN 1.4307 (TYPE 304L) s/s execution, polished, sturdy and mirror or satin. To be bolted, after assembling the articulated joint with the arm, from the inside of a stiff frame. This kind of assembling avoids the presence of exposed screws and assures maximum hygienic conditions; when this is not possible, combine it with the FFM flange for outside fixing.

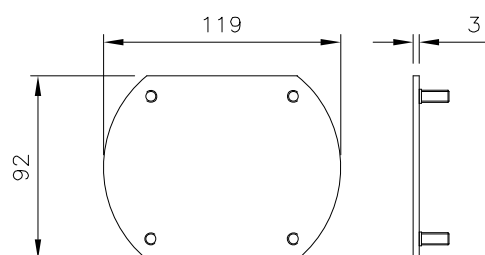
- GM60 – rounded bracket mirror



INNER PLATES

They come in sendzimir execution and, on demand, in s/s. The plate is secured by the stud bolts set inside the enclosure.

	INNER PLATES BOX	
	X	H
PIBK33	306	252
PIBK43	306	406
PIBK44	406	406
PIBK54	476	406
PIBK55	456	456
PIBK65	556	456



PLUG

EN 1.4307 (TYPE 304L) s/s execution, fine satin-finish. Closing plug hole, for box item BK and BC.