


# IL-BRID series

## Housings and covers – 2 levers – with gasket


size **104.27**


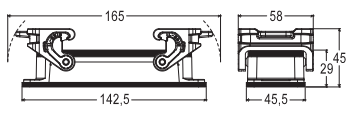

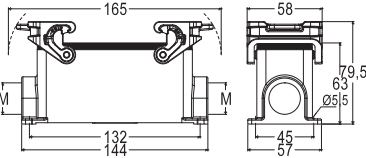

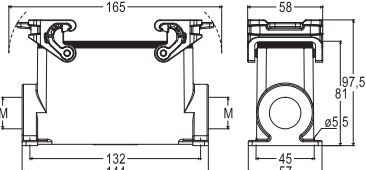


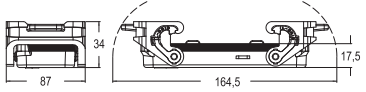
Heavy-Duty Applications 

CE UK

EN 60529	IP65 / IP66 / IP69
UL 50 / UL 50E	Type 12 / 4 / 4X
Ambient temperature limits	-40 °C ... +125 °C
Mechanical life (cycles)	≥ 500

 (pending CQC)

 ECBT2.E115072 | ECBT8.E115072

Item	Description	Part No.	Entry	Dimension
	Bulkhead mounting housings, 2 levers and gasket	<a href="#">CLI 24</a>		
	Surface mounting housings, 2 levers and gasket	<a href="#">MLP 24.25</a> <a href="#">MLP 24.225</a>	M25 M25 × 2	
	Surface mounting housings, 2 levers and gasket, high construction  To be used only with a complete cable gland	<a href="#">MLAP 24.25</a> <a href="#">MLAP 24.225</a> <a href="#">MLAP 24.32</a> <a href="#">MLAP 24.232</a> <a href="#">MLAP 24.40</a> <a href="#">MLAP 24.240</a>	M25 M25 × 2 M32 M32 × 2 M40 M40 × 2	
	Covers, 2 levers and gasket  For enclosures with 4 pegs without gasket  with loop for hoods 	<a href="#">CLC 24 G</a>		

IL-BRID  
E

Inserts size 104.27	Poles	Pages	Inserts size 104.27	Poles	Pages	MIXO Modular Inserts	Pages
CNE	16 A	24 + ⊕ B.41	CSS	16 A	24 + ⊕ B.121	MIXO modules	C.12-93
CCE	16 A	24 + ⊕ B.47	CT / CTSE*	16 A	24 + ⊕ B.129,133	CX 06 T (6-slot sized MIXO frames)	C.95
CSH / JSH S	16 A	24 + ⊕ B.55,61	CT / CTS*	10 A	64 + ⊕ B.139,141		
CSHT	16 A	24 + ⊕ B.68	CMCE / CMSH	16 A	10 + 2 (aux.) + ⊕ B.146,151		
CQE / CQEY	16 A	46 + ⊕ B.75,85	CX	100 A/16 A	8/0 and 6/6 + ⊕ B.156-157		
CQEE	16 A	64 + ⊕ B.79	CX / CXC	80 A/16 A	4/8 + ⊕ B.161-162		
CD	10 A	64 + ⊕ B.91	*can be used only in bulkhead mounting housings				
CDD	10 A	108 + ⊕ B.97					
CDSH	10 A	42 + ⊕ B.105					

**Complete with:**



**Hoods**  
Page E.73,77



**Covers**  
Page E.76