

# C-TYPE series


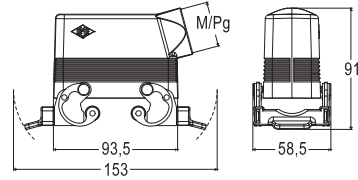

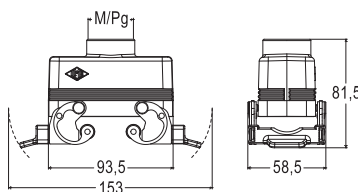

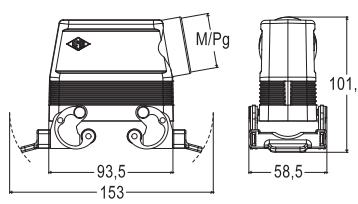

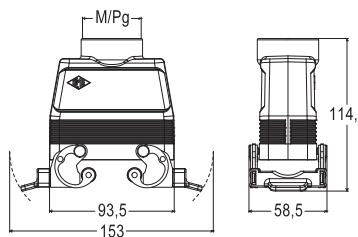
## Hoods - 2 levers - without gasket

size **77.27**
**Heavy-Duty Applications**




EN 60529	IP65 / IP66 / IP69
UL 50 / UL 50E	Type 12 / 4 / 4X
Ambient temperature limits	-40 °C ... +125 °C
Mechanical life (cycles)	≥ 500


 ECBT2.E115072 | ECBT8.E115072

Item	Description	Side entry	Top entry	Entry	Dimension
	Hoods, 2 levers, without gasket, side entry	<a href="#">MHO 16 X25</a> <a href="#">MHO 16 X32</a> <a href="#">CHO 16 X</a>		M25 M32 Pg 21	
	Hoods, 2 levers, without gasket, top entry		<a href="#">MHV 16 X25</a> <a href="#">MHV 16 X32</a> <a href="#">CHV 16 X</a>	M25 M32 Pg 21	
	Hoods, 2 levers, without gasket, side entry, high construction	<a href="#">MAO 16 X32</a> <a href="#">MAO 16 X40</a> <a href="#">CAO 16 X</a> <a href="#">CAO 16 X29</a>		M32 M40 Pg 21 Pg 29	
	Hoods, 2 levers, without gasket, top entry, high construction		<a href="#">MAV 16 X32</a> <a href="#">MAV 16 X40</a> <a href="#">CAV 16 X</a> <a href="#">CAV 16 X29</a>	M32 M40 Pg 21 Pg 29	

C-TYPE

E

Inserts size 77.27	Poles	Pages	Inserts size 77.27	Poles	Pages	MIXO Modular Inserts	Pages
CNE	16 A	16 + ⊕ B.40	CP / CPY	35 A	6 + ⊕	MIXO modules	C.12-93
CCE	16 A	16 + ⊕ B.46	CSS	16 A	16 + ⊕	CX 04 T (4-slot sized MIXO frames)	C.95
CSH / JSH S	16 A	16 + ⊕ B.54,60	CMCE / CMSH	16 A	6 + 2 (aux.) + ⊕		
CSHT	16 A	16 + ⊕ B.67	CX / CXC	80 A/16 A	4/0, 4/2 + ⊕		
CQE / CQEY	16 A	32 + ⊕ B.74,84					
CQEE	16 A	40 + ⊕ B.78	CX	40 A/10 A	6/12, 6/36, 9/42 and 12/2 + ⊕		
CD	10 A	40 + ⊕ B.90					
CDD	10 A	72 + ⊕ B.94					
CDSH	10 A	27 + ⊕ B.104					

**Accessories:**

**CHCP 16**  
 Dust protection cover  
 Page G.46